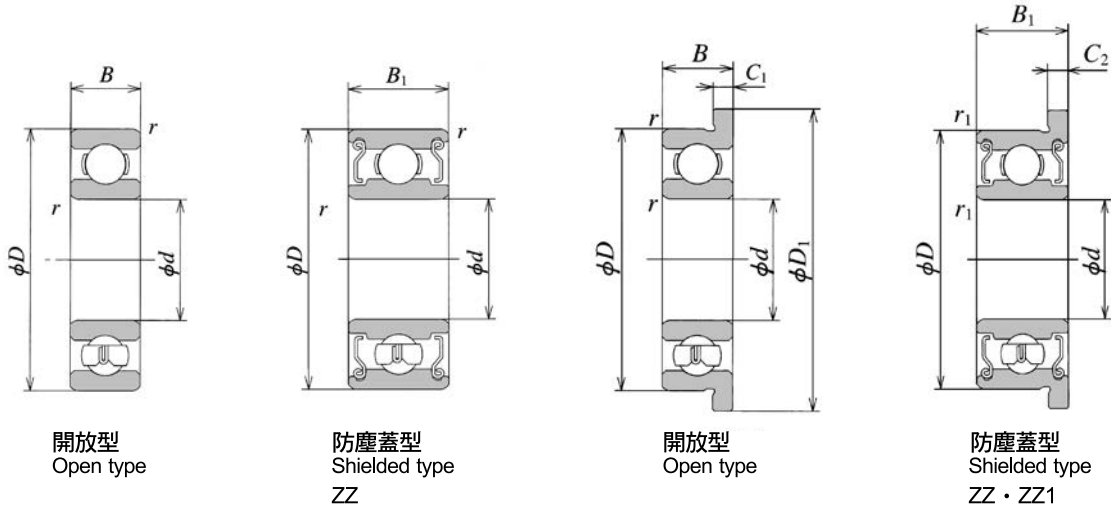


微型軸承

主要寸法							型號		凸緣型號		基本定格荷重	
d	D	B	B1	D1	C1	C2	JIS	NMB			Cr(kgf)	Cor(kgf)
1.016	1/8	1.1913	—	—			RI-2	—	—		7	2
1.397	3/16	5/64	7/64	5.944	0.584	0.787	RI-3	RI-3zz	RIF-3	RIF-3zz	15	6
5/64	1/4	3/32	3.57	7.518	0.584	0.787	—	RI-4zz	RIF-4	RIF-4zz	19	7
3/32	3/16	1/16	3/32	5.944	0.457	0.787	RI-3332	RI-3332zz	RIF-3332	RIF-3332zz	9	3.5
3/32	5/16	2.78	3.57	9.119	0.584	0.787	RI-5	RI-5zz	RIF-5	RIF-5zz	33	13
1/8	1/4	3/32	7/64	7.518	0.584	0.787	R-144	RI-418zz	RIF-418	RIF-418zz	18	7
1/8	5/16	7/64	9/64	9.119	0.584	0.787	R2-5	RI-518zz	RIF-518	RIF-518zz	33	13
1/8	3/8	7/64	9/64	10.719	0.584	0.787	R2-6	RI-618zz	RIF-618	RIF-618zz	33	13
1/8	3/8	5/32	5/32	11.176	0.762	0.762	R-2	R-2zz	RF-2	RF-2zz	37	15
5/32	5/16	7/64	1/8	9.119	0.584	0.914	R-155	RI-5532zz	RIF-5532	RIF-5532zz	24	9.5
3/16	5/16	7/64	1/8	9.119	0.584	0.914	R-156	RI-5632zz	RIF-5632	RIF-5632zz	24	9.5
3/16	3/8	1/8	1/8	10.719	0.584	0.789	R-166	RI-6632zz	RIF-6632	RIF-6632zz	24	9.5
3/16	1/2	5/32	5mm	14.351	1.067	1.067	R-3	R-3zz	RF-3	RF-3zz	77	34
3/16	1/2	5mm					RA-3				77	34
1/4	3/8	1/8	1/8	10.719	0.584	0.914	R-168	RI-614zz	RIF-614	RIF-614zz	23	11
1/4	1/2	1/8	3/16	13.894	0.584	1.143	R-188	RI-814zz	RIF-814	RIF-814zz	63	28
1/4	5/8	5mm	5mm	17.526	1.067	1.067	R-4	R-4zz	RF-4	RF-4zz	86	39
1/4	3/4	7/32	9/32				R-4A	RI-1214zz			189	95
5/16	1/2	5/32	5/32	13.894	0.787	0.787	R-1810	RI-8516zz	RIF-8516	RIF-8516zz	50	24
3/8	7/8	7/32	9/32	24.613		1.575	R-6	RI-1438zz		RF-6zz	261	137
1/2	1 1/8	1/4	5/16				R-8	RI-1812zz			316	177
5/8	1 3/8	9/32	11/32				R-10	R-10zz				
3/4	1 5/8	5/16	7/16				R-12	R-12zz				
7/8	1 7/8	3/8	1/2				R-14	R-14zz				
1"	2"	3/8	1/2				R-16	R-16zz				
1 1/8	2 1/8	3/8	1/2				R-18	R-18zz				
1 1/4	2 1/4	3/8	1/2				R-20	R-20zz				
1 3/8	2 3/8	7/16	9/16				R-22	R-22zz				
1 1/2	2 5/8	7/16	9/16				R-24	R-24zz				

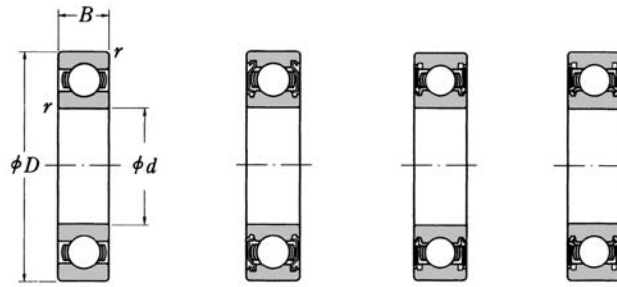


特殊尺寸軸承

主要寸法							軸承型號		基本定格荷重(kgf)		極限速率(rpm)	
d	D	B	B1	D1	C1	C2	JIS	NMB	C	Co	Grease r/min	Oil r/min
3/8	5/8	5/32	5/32				RI-1038	RI-1038zz	44	21		
1/2	3/4	5/32	5/32				RI-1212	RI-1212zz	51	28		
5/8	7/8	5/32	5/32				RI-1458	RI-1458zz	53	31		
3/4	1"	5/32	5/32				RI-1634	RI-1634zz	58	38		
1/8	3/8	—	3/16					F-2ZZ				
3/16	9/16	—	1/4					F-3ZZ				
1/4	5/8	—	1/4					F-4ZZ				
5/16	11/16	—	1/4					F-5ZZ				

薄型軸承6700系列

主要寸法							軸承型號		基本定格荷重(kgf)		極限速率(rpm)	
d	D	B	B1	D1	C1	C2	JIS	NMB	C	Co	Grease r/min	Oil r/min
10	15	4	4	16.5		0.8	6700	A-1510	129	57	36000	42000
12	18	4	4				6701		109	67	32000	38000
15	21	4	4				6702		117	81	29000	34000
17	23	4	4				6703		122	88	26000	31000
20	27	4	4				6704		183	135	23000	28000
25	32	4	4				6705		197	158	19000	23000
30	37	4	4				6706		209	182	17000	20000
35	44	5	5				6707					
40	50	6	6				6708					
45	55	6	6				6709					



63300 系列

開放型

防塵蓋型
ZZ

非接觸密封圈型
VV

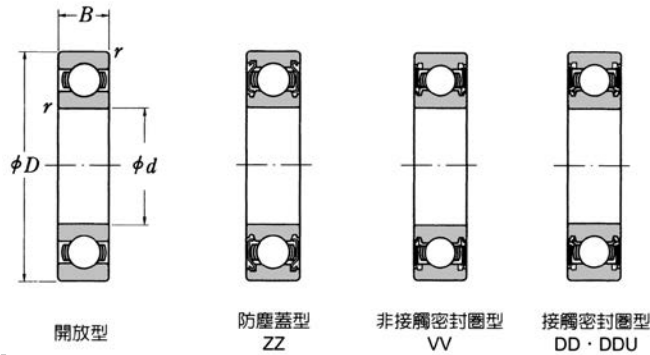
接觸密封圈型
DD · DDU

軸承型號 Bearing Number	孔徑mm Bore(d)	外徑mm OD(D)	寬度mm Width(B)	基本負荷 KN		重量kg Weigh
				動荷重 C	靜荷重 Co	
63302	15	42	19.0	8.71	5.24	0.150
63303	17	47	22.2	10.42	6.35	0.190
63304	20	52	22.2	12.22	7.62	0.210
63305	25	62	25.4	16.22	10.53	0.350
63306	30	72	30.2	20.44	14.00	0.540
63307	35	80	34.9	25.55	18.00	0.700

深溝滾珠軸承

(英製 RLS 系列) Inch RLS Series

軸承型號 Bearing Number	孔徑mm Bore(d)	外徑mm OD(D)	寬度mm Width(B)	基本負荷 KN		重量kg Weigh
				動荷重 C	靜荷重 Co	
RLS4	12.700	33.338	9.525	4.36	2.51	0.038
RLS5	15.875	39.688	11.113	8.62	4.51	0.067
RLS6	19.050	47.625	14.288	9.08	5.19	0.120
RLS7	22.225	50.800	14.288	9.72	6.20	0.142
RLS8	25.400	57.150	15.875	10.78	6.98	0.160
RLS9	28.575	63.500	15.875	12.80	8.40	0.185
RLS10	31.750	69.850	17.463	17.64	13.19	0.285
RLS11	34.925	76.200	17.463	19.77	15.30	0.362
RLS12	38.100	82.550	19.050	25.09	18.14	0.402
RMS4	12.700	41.275	15.875	7.35	4.41	0.1076
RMS5	15.875	63.500	15.875	10.45	6.56	0.1172
RMS6	19.050	50.800	17.463	9.88	6.20	0.1606
RMS7	22.225	57.150	17.462	10.78	6.98	0.223
RMS8	25.400	63.500	19.050	17.22	11.39	0.259
RMS9	28.575	71.438	20.638	27.00	15.19	0.372
RMS10	31.750	79.375	22.225	27.00	15.19	0.542



Inch 1600Series

軸承型號 Bearing No.	內徑 d		外徑 D		寬度 B		倒角 r mm	額定負荷(KN)	
	mm	in	mm	in	mm	in		動負荷Cr	靜負荷Cor
1601 開閉	4.763	.1875	17.463	.6875	6.35 7.938	.25 .3125	0.30	1970	730
1602 開閉	6.350	.2500	17.463	.6875	6.35 7.938	.25 .3125	0.30	1970	730
1603 開閉	7.938	.3125	22.225	.8750	7.144 8.731	.2813 .3437	0.30	3290	1360
1604 開閉	9.525	.3750	22.225	.8750	7.144 8.731	.2813 .3437	0.38	3330	1410
1605	7.938	.3125	23.017	.9062	7.938	.3125	0.30	3330	1410
1606	9.525	.3750	23.017	.9062	7.938	.3125	0.38	3330	1410
1607	11.113	.4375	23.017	.9062	7.938	.3125	0.38	2690	1270
1614	9.525	.3750	28.575	1.125	9.525	.375	0.64	5110	2390
1615	11.113	.4375	28.575	1.125	9.525	.375	0.64	5110	2390
1616	12.700	.5000	28.575	1.125	9.525	.375	0.64	5110	2390
1620	11.113	.4375	34.925	1.375	11.112	.4375	0.64	7450	3700
1621	12.700	.5000	34.925	1.375	11.112	.4375	0.64	7450	3700
1622	14.288	.5625	34.925	1.375	11.112	.4375	0.64	7450	3700
1623	15.875	.6250	34.925	1.375	11.112	.4375	0.64	7450	3700
1628	15.875	.6250	41.275	1.625	12.7	.5000	0.64	9390	5020
1630	19.050	.7500	41.275	1.625	12.7	.5000	0.64	9390	5020
1633	15.875	.6250	44.450	1.750	12.7	.5000	0.64	9390	5020
1635	19.050	.7500	44.450	1.750	12.7	.5000	0.64	9390	5020
1638	19.050	.7500	50.800	2.0	14.288	.5625	0.64	10060	5860
1640	22.225	.8750	50.800	2.0	14.288	.5625	0.64	10060	5860
1641	25.400	1	50.800	2.0	14.288	.5625	0.64	10060	5860